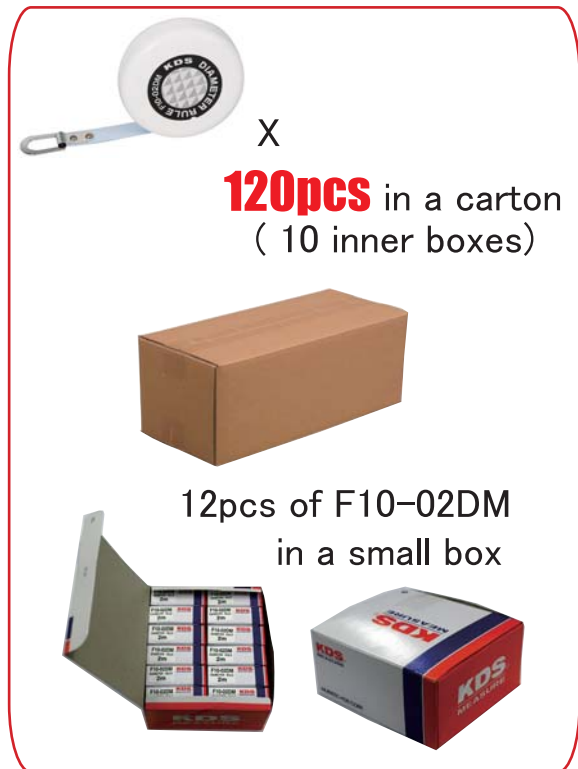


Specification information: Carton Down-Sizing



Outer carton of F10-02DM (DIAMETER TAPE) is down-sized for easier stock control at your customers !!
Time of change depends on current stock levels and to be changed on running basis.

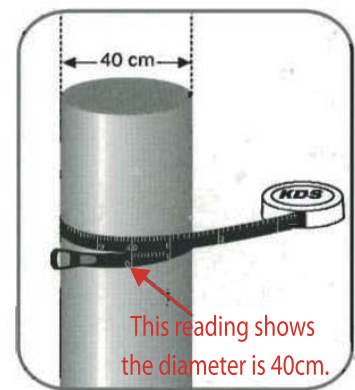


Steel Diameter tape

Features:

Automatically converts circumference to outside diameter, and vice versa.

Measure outside diameter of PIPES, TIRES, CABLES, TREES or any CIRCULAR OBJECTS.



Cat. No.	Length	Width	QTY /Box	QTY /Carton	N.W. (kgs)	G.W. (kgs)	M3	Carton size (Cm) D x W x H	EAN
F10-02DM	2 m	10 mm	12	120	8	10	0.011	25 x 32 x 13	4954183 500085

For details, please contact your KDS representative.